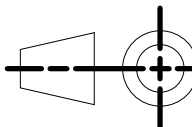


PROJECT:

TURNSTILE WITH BICYCLE GATE

SCALE: NTS



FIRST ANGLE PROJECTION

DIMENSIONAL TOLERANCES
(UNLESS OTHERWISE SPECIFIED):

FROM:	TO	TOLERANCE
0	25	+- 0.25
26	100	+- 0.50
101	250	+- 1.00
251	500	+- 1.50
501	1000	+- 2.50
1001	>	+- 3.00

APPROVALS:

Drawn By:	TIM BROWN	2022/05/24
Designed By:	TIM BROWN	2022/05/24
Checked By:	Pedro Gouvea	2022/07/05
Eng Approved:	C. Sacks	2022/07/05

MASS:

285,88 kg

MATERIAL:

STANDARD -

FINISH:

STANDARD FINISH

DESCRIPTION:

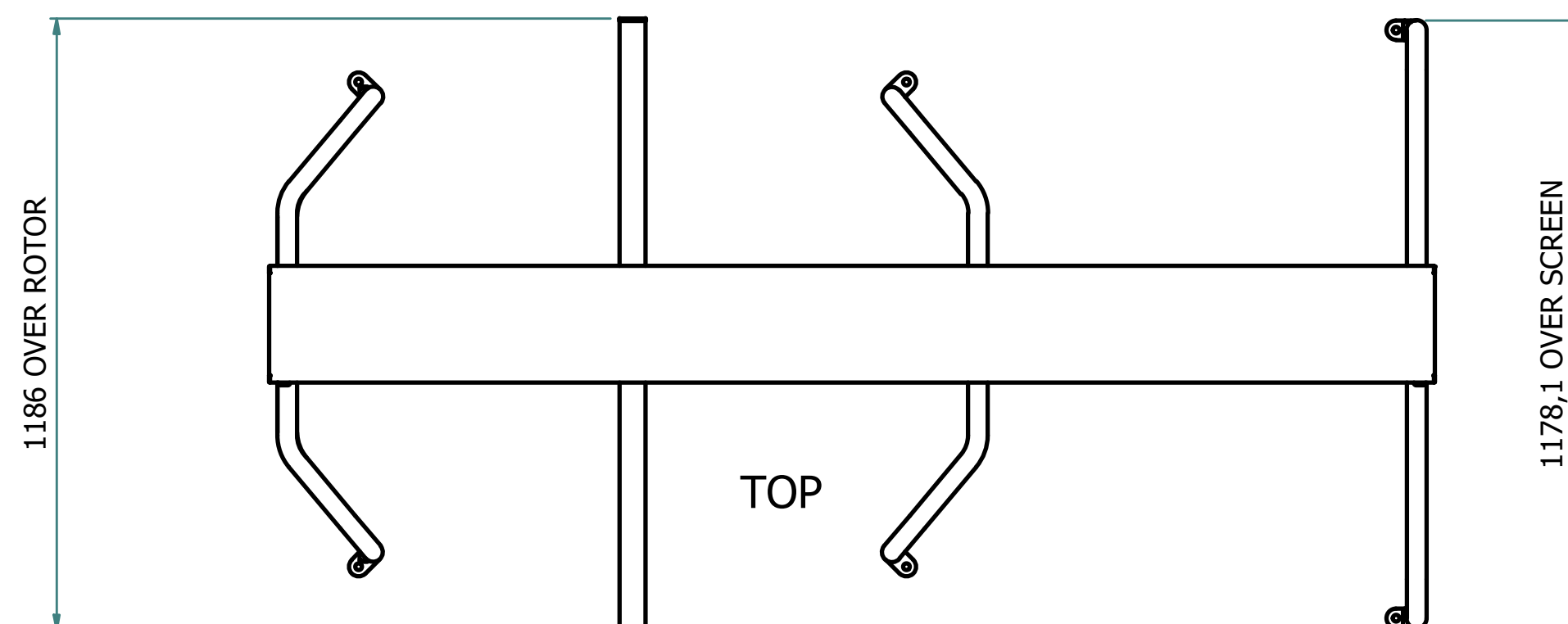
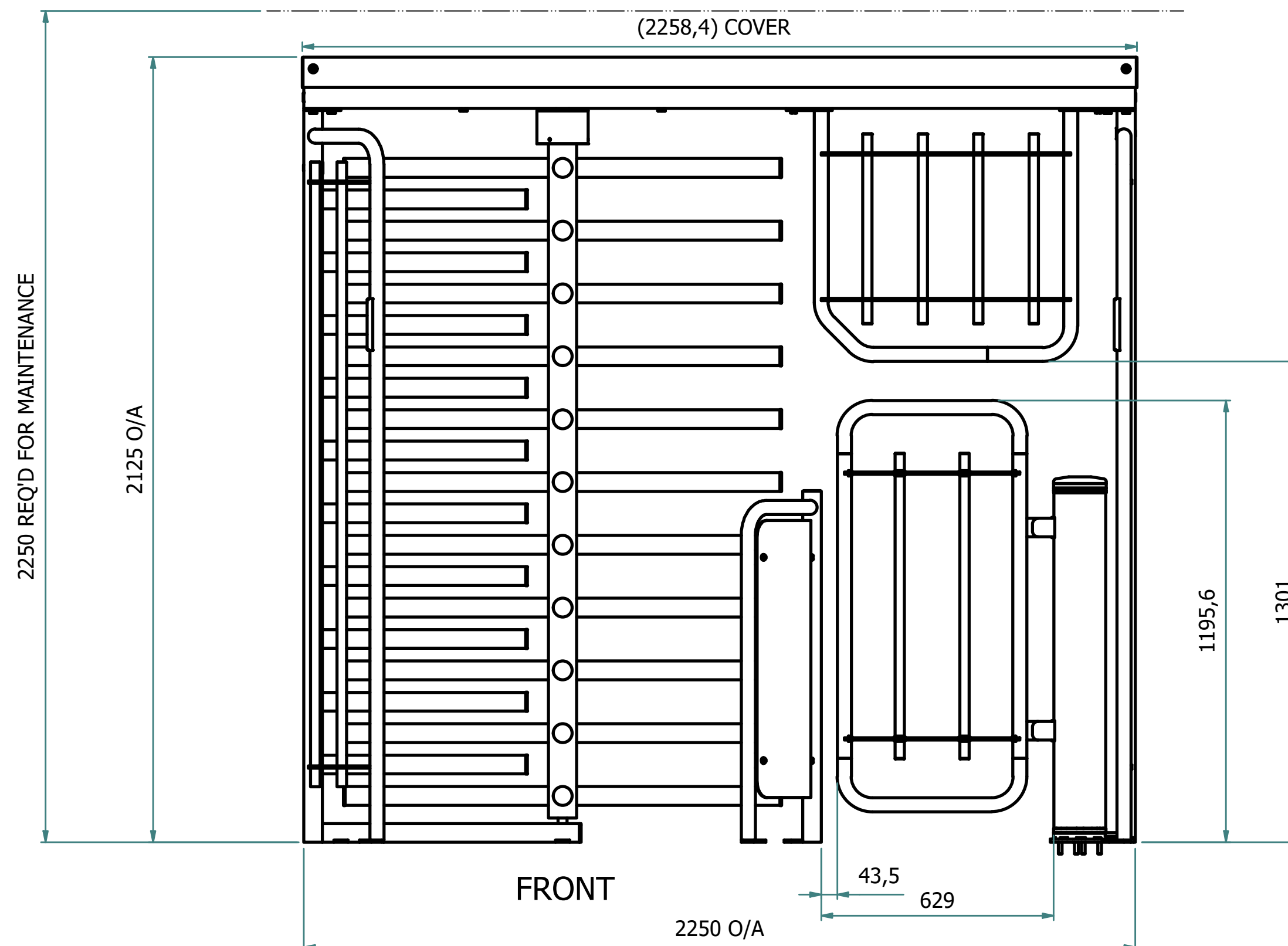
**2250x2125 4-ARM TURNSTILE
WITH BICYCLE GATE**

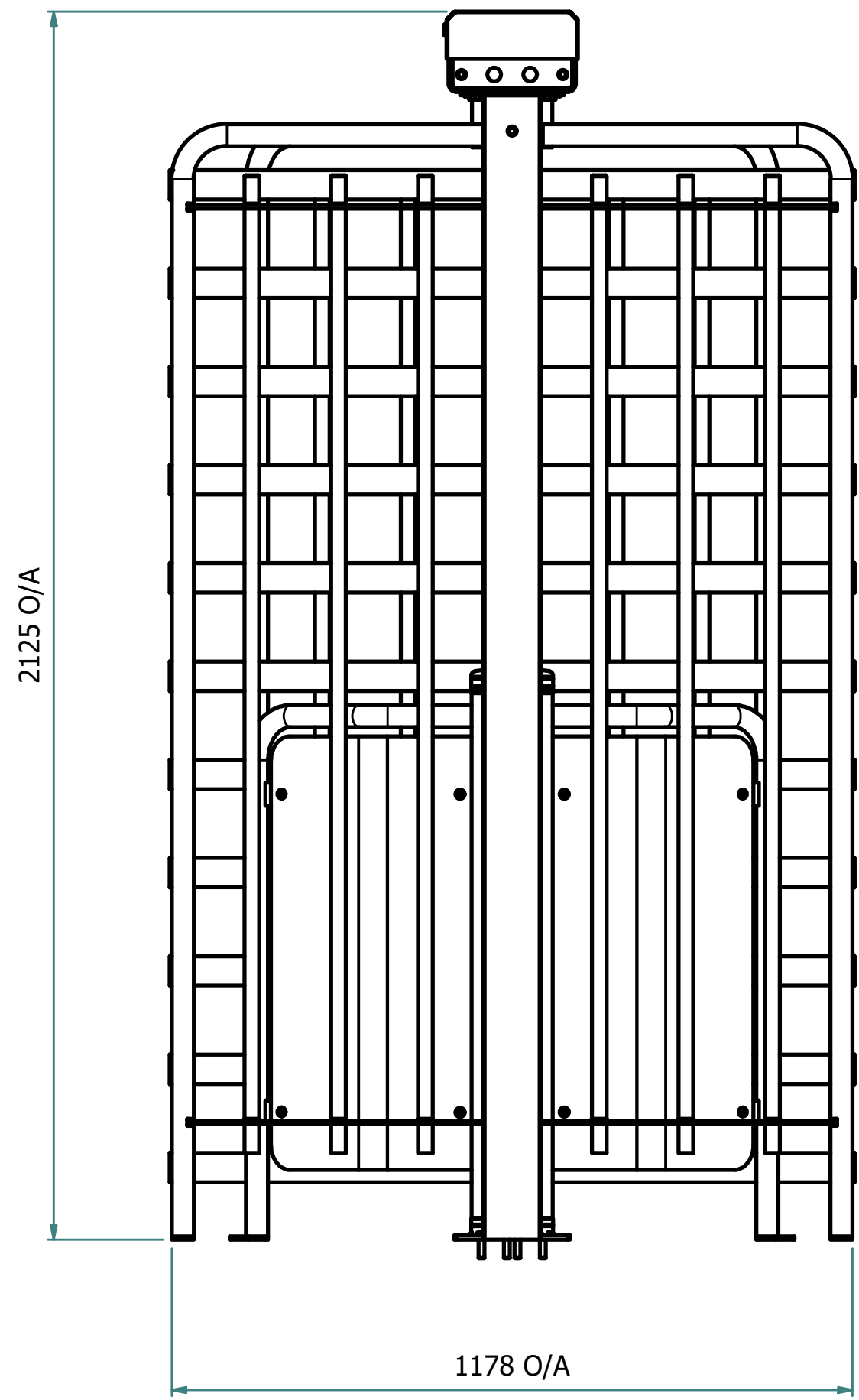
PART NUMBER:

1445-AS-04

REV:

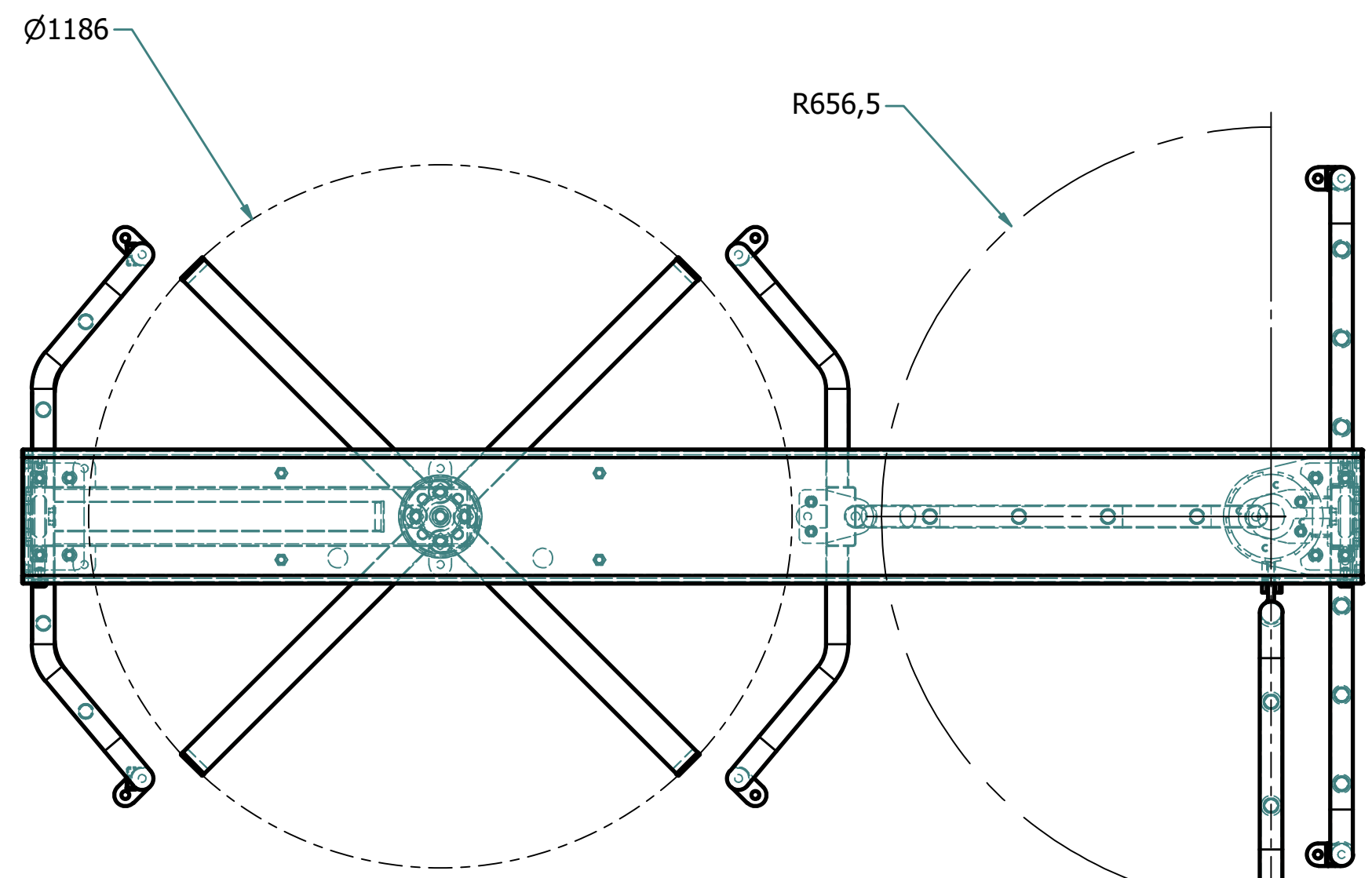
0





SIDE (R)

PARTS LIST			
ITEM	QTY	PART NUMBER	DESCRIPTION
1	1	1445-SA-10	BICYCLE TURSNTILE 4-ARM SCREEN COMB ASSEMBLY
2	1	1445-SA-07	FLAT 1400 SCREEN SCREEN ASSEMBLY
3	1	1445-WM-15	2250 BICYCLE TOP CHANNEL WELDMENT
4	1	FHT-SA-30	TITAN 4 SINGLE ROTOR ASSEMBLY
5	2	FHT-LC-29	LOCKING PLATE
6	4	13-PP-BL	DIA 13 INTERNAL PANEL PLUG, BLACK HDPE
7	4	20_22-DPP-BL	DIA 20-22 DOME PANEL PLUG, BLACK HDPE
8	1	CP-AS-03	FULL HEIGHT CONTROL PANEL ASSY
9	1	TSM-AS-04	4-ARM FH MECHANISM - FAIL SECURE
10	1	1445-SA-09	BICYCLE GATE AUTOMATIC
11	1	1445-SA-12	4-ARM BICYCLE PLATE SCREEN ASSEMBLY
12	1	1445-SA-08	BICYCLE GATE TOP FRAME
13	1	1445-SA-03	TOP COVER ASSEMBLY
14	1	FHT-SA-01	TOP DISK SLEEVE ASSEMBLY
15	2	FHT-LC-33	BEAN WASHER
16	4	FHT-PT-02	RUBBER DISK BUFFER, 40 OD x 16 ID x 25mm
17	4	M16-NHN-ZP	M16 NYLOCK HEX NUT, ZP
18	4	M10x30-HSS-ZP	M10x30 HEX SET SCREW, 4.8, ZP
19	4	M10x20-PFW-ZP	M10x20 PLAIN FLAT WASHER, ZP
20	4	M10-HN-ZP	M10 HEX NUT, ZP
21	12	M12-HN-ZP	M12 HEX NUT, ZP
22	12	M12x35-HSS-ZP	M12x35 HEX SET SCREW, 4.8, ZP
23	8	M12x24-PFW-ZP	M12x24 PLAIN FLAT WASHER, ZP



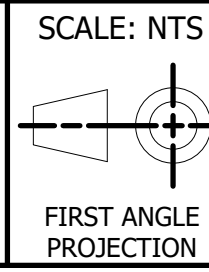
TOP



Turnstar Systems (Pty) Ltd.
 18, 6th Street
 Wynberg
 Sandton
 2090
 South Africa

Tel: +27(0)11 786 1633
 Fax: +27(0)11 440 5839

PROJECT:
TURNSTILE WITH BICYCLE GATE



DIMENSIONAL TOLERANCES (UNLESS OTHERWISE SPECIFIED):

FROM:	TO	TOLERANCE
0	25	± 0.25
26	100	± 0.50
101	250	± 1.00
251	500	± 1.50
501	1000	± 2.50
1001	>	± 3.00

APPROVALS:

Drawn By:	TIM BROWN	2022/05/24
Designed By:	TIM BROWN	2022/05/24
Checked By:	Pedro Gouvea	2022/07/05
Eng Approved:	C. Sacks	2022/07/05

MASS:
 285,88 kg

MATERIAL:
 STANDARD -

FINISH:
 STANDARD FINISH

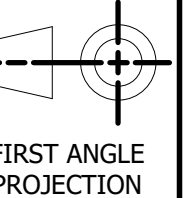
DESCRIPTION:
2250x2125 4-ARM TURNSTILE WITH BICYCLE GATE

PART NUMBER:	REV:
1445-AS-04	0

PROJECT:

TURNSTILE WITH BICYCLE GATE

SCALE: NTS



DIMENSIONAL TOLERANCES
 (UNLESS OTHERWISE SPECIFIED):

FROM:	TO	TOLERANCE
0	25	+- 0.25
26	100	+- 0.50
101	250	+- 1.00
251	500	+- 1.50
501	1000	+- 2.50
1001	>	+- 3.00

APPROVALS:

Drawn By:	TIM BROWN	2022/05/24
Designed By:	TIM BROWN	2022/05/24
Checked By:	Pedro Gouvea	2022/07/05
Eng Approved:	C. Sacks	2022/07/05

MASS:

285,88 kg

MATERIAL:

STANDARD -

FINISH:

STANDARD FINISH

DESCRIPTION:

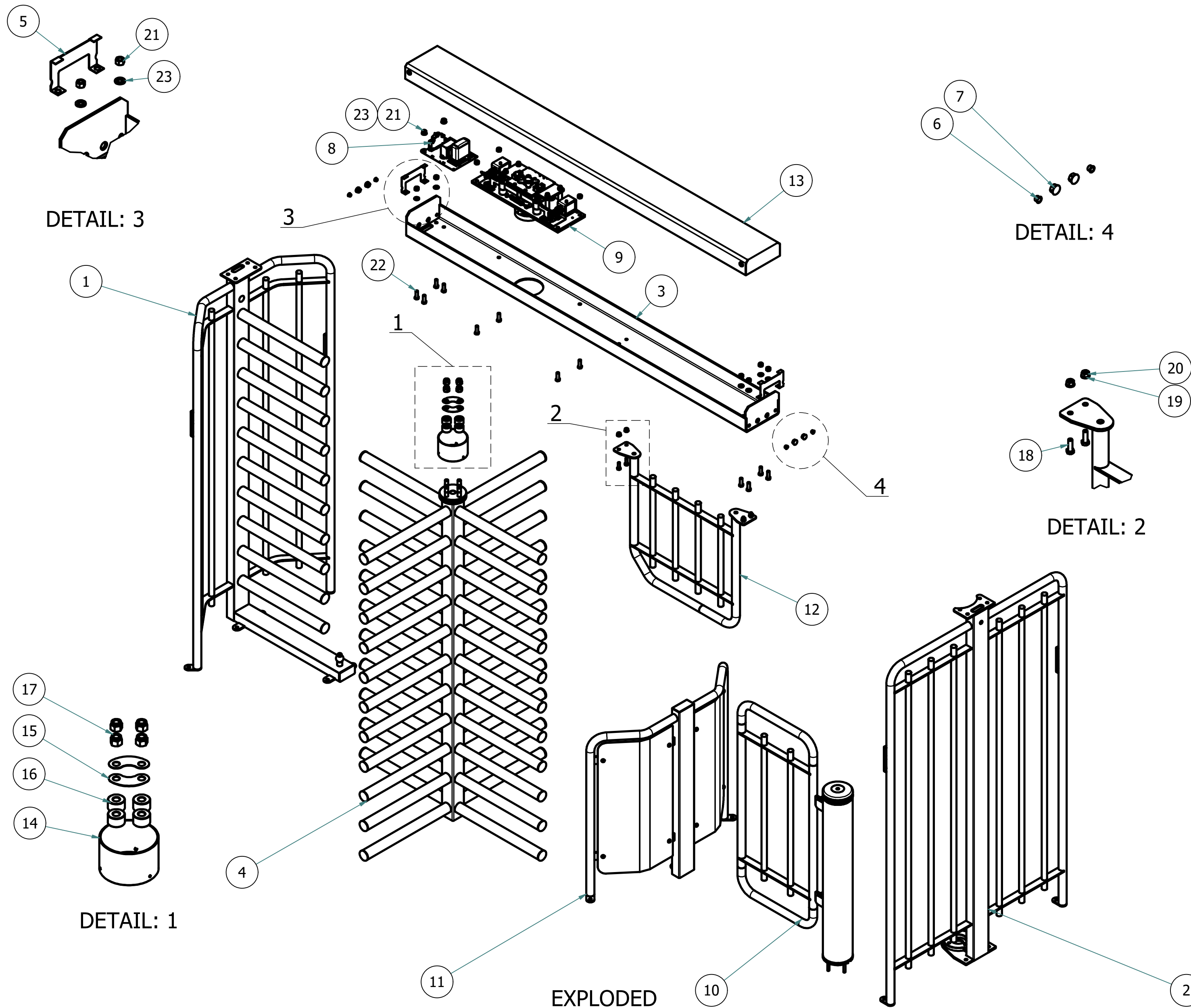
**2250x2125 4-ARM TURNSTILE
 WITH BICYCLE GATE**

PART NUMBER:

1445-AS-04

REV:

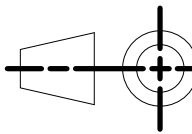
0



PROJECT:

TURNSTILE WITH BICYCLE GATE

SCALE: NTS



FIRST ANGLE PROJECTION

DIMENSIONAL TOLERANCES
 (UNLESS OTHERWISE SPECIFIED):

FROM:	TO	TOLERANCE
0	25	+- 0.25
26	100	+- 0.50
101	250	+- 1.00
251	500	+- 1.50
501	1000	+- 2.50
1001	>	+- 3.00

APPROVALS:

Drawn By:	TIM BROWN	2022/05/24
Designed By:	TIM BROWN	2022/05/24
Checked By:	Pedro Gouvea	2022/07/05
Eng Approved:	C. Sacks	2022/07/05

MASS:

285,88 kg

MATERIAL:

STANDARD -

FINISH:

STANDARD FINISH

DESCRIPTION:

**2250x2125 4-ARM TURNSTILE
 WITH BICYCLE GATE**

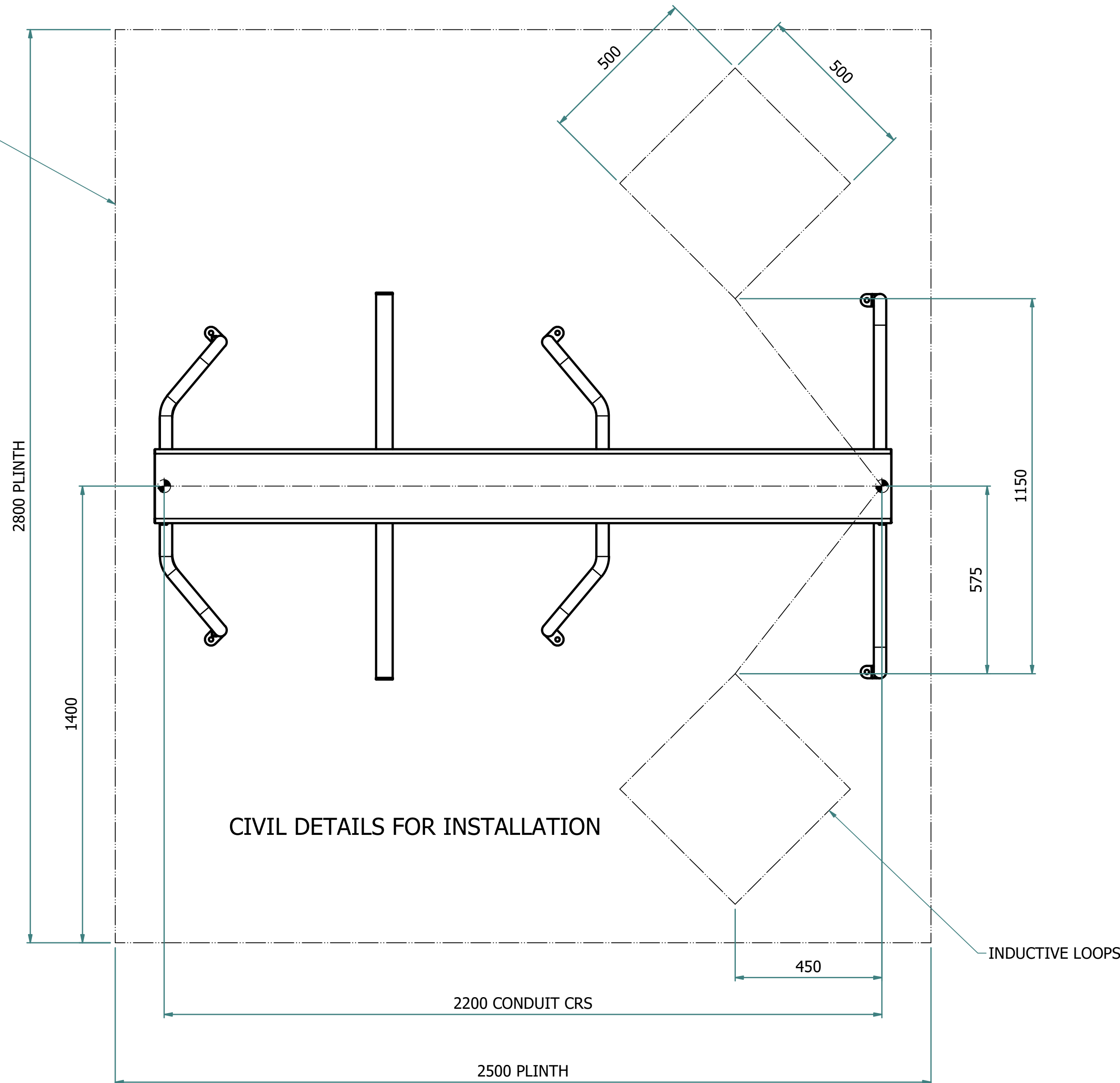
PART NUMBER:

1445-AS-04

REV:

0

125MM THK PLINTH
 CONCRETE 15 MPa



CIVIL DETAILS FOR INSTALLATION

INDUCTIVE LOOPS